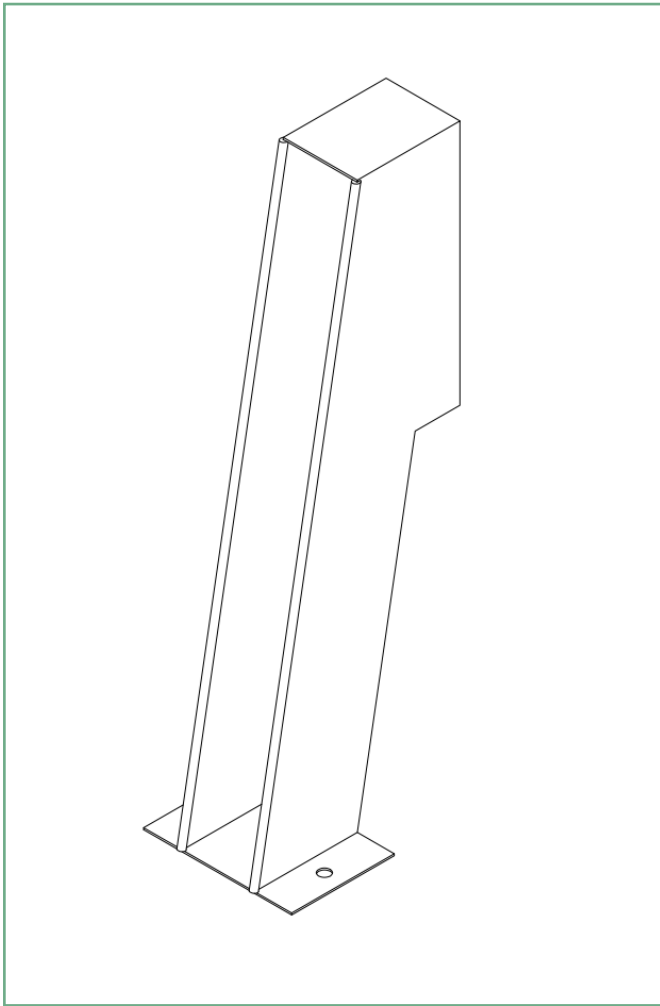




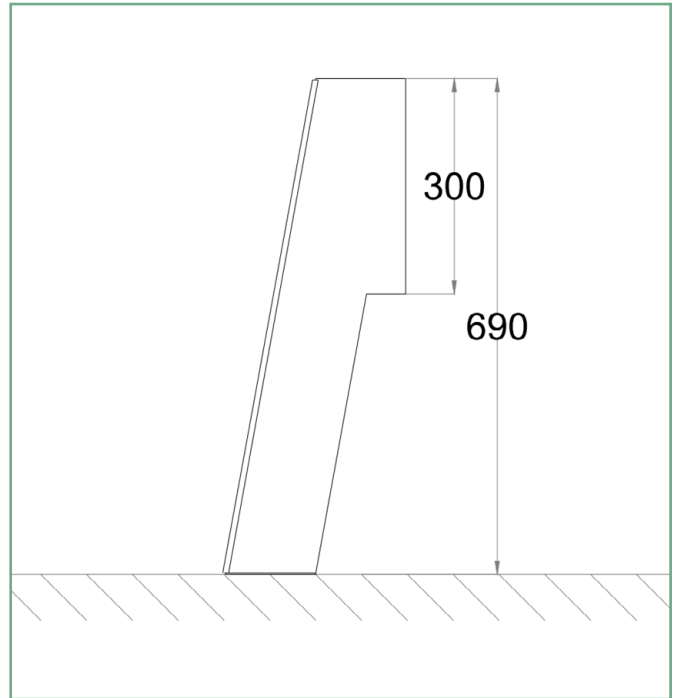
Add our wheel chock to either the bike repair station, public bike pump, or wash station.

Providing a stable base for inflating tyres or making repairs when placed next to pump or repair stand.
Available in range of RAL colours.

3D view



Side elevation



Product details

Product name	Wheel Chock
Product code	VEC113
Fixing	Surface mounted
Standard finish	Galvanised steel, powder coated to any standard RAL colour, with branding
Optional finish	Bespoke RAL colour
Branding	Incorporate any company or council logo
Dimensions	690(h) x 250(d) x 90(w) mm
Installation	All units delivered pre-assembled and ready to install

Standard RAL Colours

RAL 1021	RAL 2008	RAL 3020
RAL 4004	RAL 4010	RAL 5002
RAL 5003	RAL 5012	RAL 5015
RAL 5017	RAL 6005	RAL 6018
RAL 7001	RAL 7016	RAL 7035
RAL 9005	RAL 9006	RAL 9010