



The WaveUp shelter is a hard-wearing, modular, two-tier height cycle shelter.

Designed to cover and protect bicycles parked in our two-tier bike rack. Powder coating, lighting and polycarbonate roof options available.

## Product details

<b>Product name</b>	WaveUp Cycle Shelter
<b>Product code</b>	VEC145
<b>Fixing</b>	Root fixed or Surface Mounted
<b>Capacity</b>	Unlimited modular capacity
<b>Bike racks</b>	2ParkUp two-tier
<b>Access</b>	Open
<b>Compliance</b>	EN-1090 CE Mark

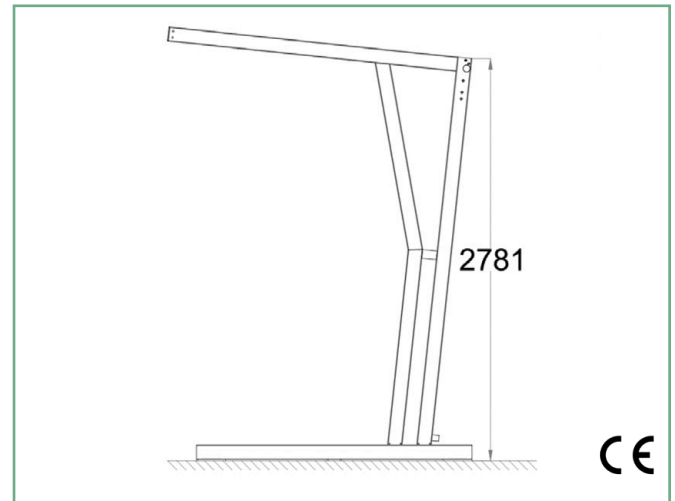
### Standard finish

<b>Frame</b>	Hot-dip galvanised to BS EN ISO 1461:2009
<b>Drainage</b>	Integrated within frame
<b>Variations</b>	Single or Double sided. (See Wave Shelter for single tier height)
<b>Roof</b>	Powder coated profile sheets

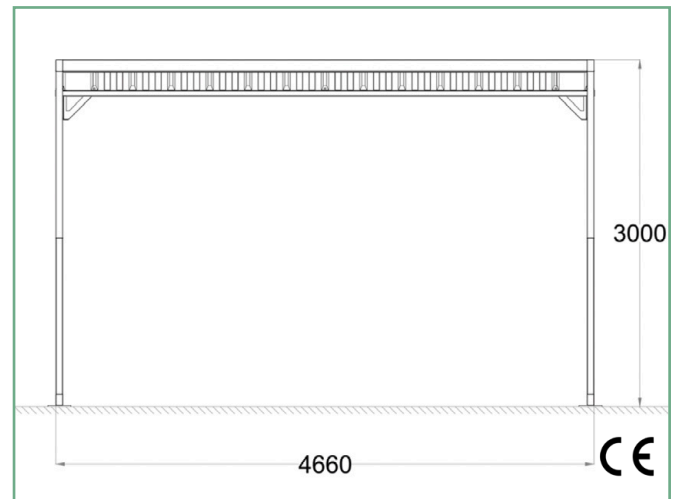
### Optional finishes

<b>Frame</b>	Powder coated to any standard RAL colour
<b>Lighting</b>	LED lighting
<b>Roof</b>	Polycarbonate

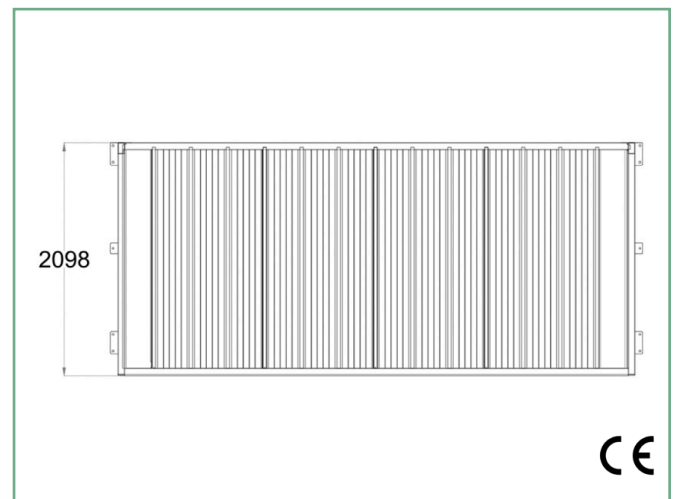
### Side elevation



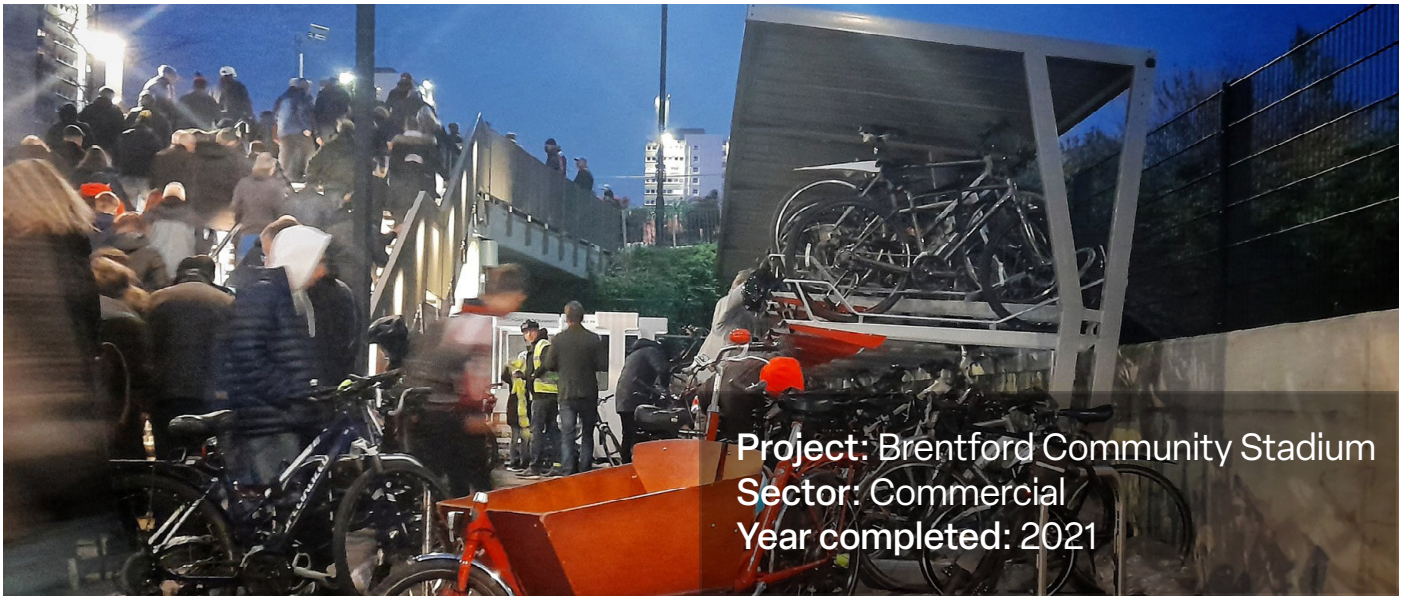
### Front elevation



### Plan view







Project: Brentford Community Stadium  
Sector: Commercial  
Year completed: 2021



Project: Butler Close, Oxford  
Sector: Residential  
Year completed: 2021



Project: Orpington Station  
Sector: Rail  
Year completed: 2019