



ARU Peterborough cannot accept liability for any damage or injury to persons or vehicles, including contents and accessories, arising from use of this bicycle facility.

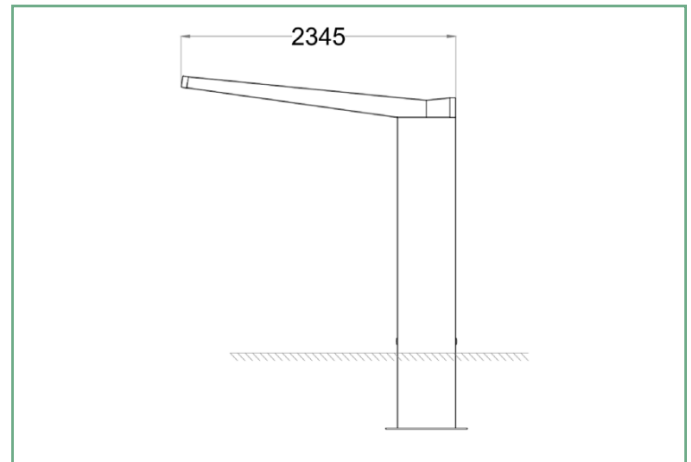
The T-Hide is a contemporary, heavy-duty, design-led cycle parking shelter.

Available with fully integrated lighting, single or double sided variants, and optional sedum roofing and powder coated finishes.

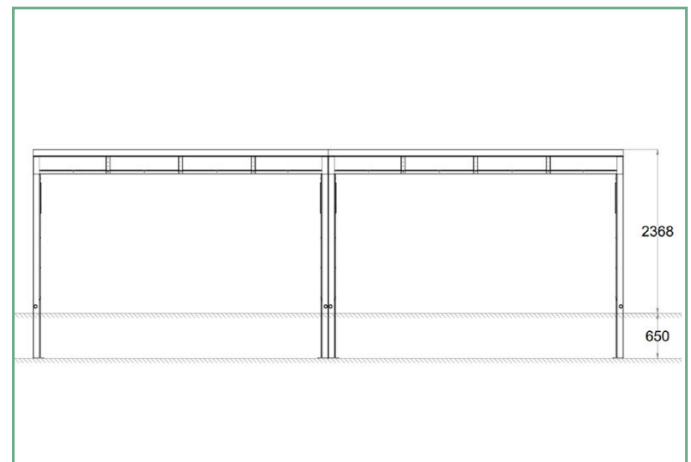
## Product details

<b>Product name</b>	T-Hide Cycle Shelter
<b>Product code</b>	VEC143
<b>Fixing</b>	Root fixed
<b>Capacity</b>	Unlimited modular capacity
<b>Bike racks</b>	Any Turvec bike rack
<b>Access</b>	Open

Side elevation (single sided)



Front elevation (single tier height)



### Standard finish

<b>Frame</b>	Hot-dip galvanised to BS EN ISO 1461:2009 and powder coated to any standard RAL colour
<b>Drainage</b>	Integrated within frame
<b>Variations</b>	Single or Double sided. Single or Two-tier height.
<b>Roof</b>	Polycarbonate

### Optional finishes

<b>Frame</b>	Hot-dip galvanised to BS EN ISO 1461:2009
<b>Lighting</b>	Integrated LED lighting
<b>Roof</b>	Powder coated profile sheets

Plan view



