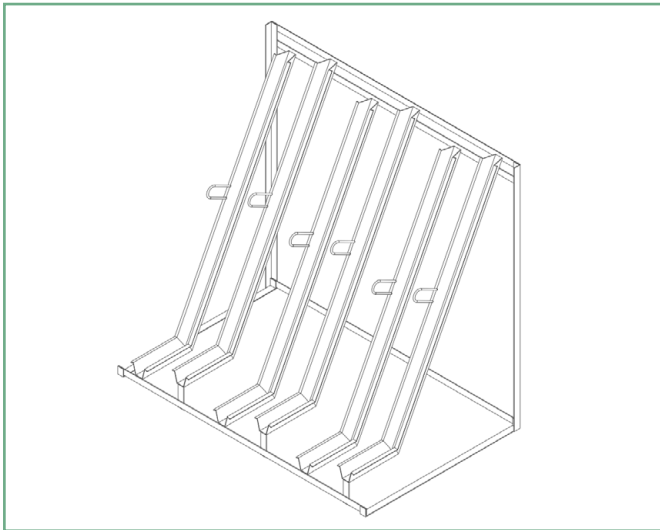




The Semi-Vertical bike rack is a functional and user-friendly solution to single-tier bicycle parking.

Designed to offer high-density bike storage for both indoor and outdoor installation.

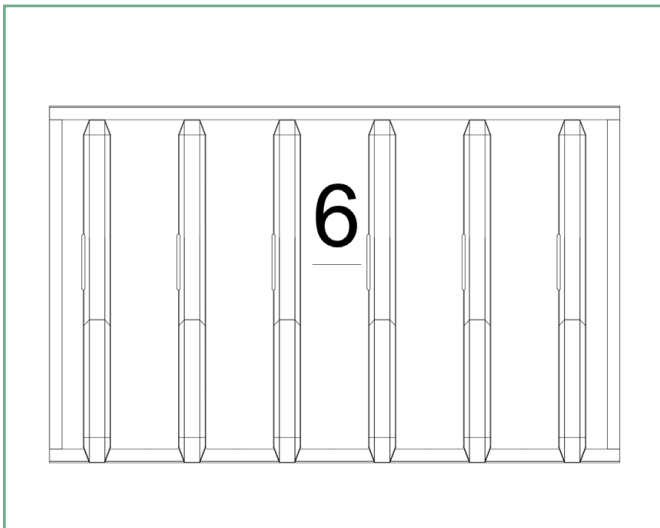
### 3D View



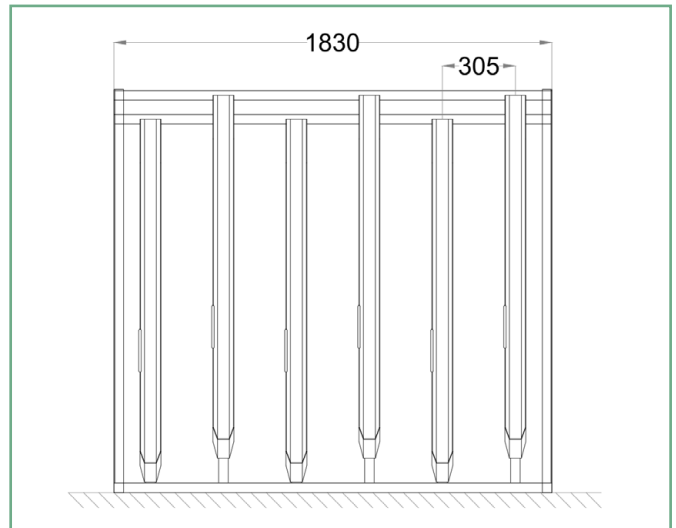
### Product details

<b>Product name</b>	Semi-vertical bike rack
<b>Product code</b>	VEC101
<b>Fixing</b>	Surface mounted
<b>Finish</b>	Hot-dip galvanised to BS EN ISO 1461:2009
<b>Ceiling height</b>	2000mm
<b>Spacing</b>	305mm
<b>Loading Distance</b>	Minimum 1300mm, Recommended 1500mm

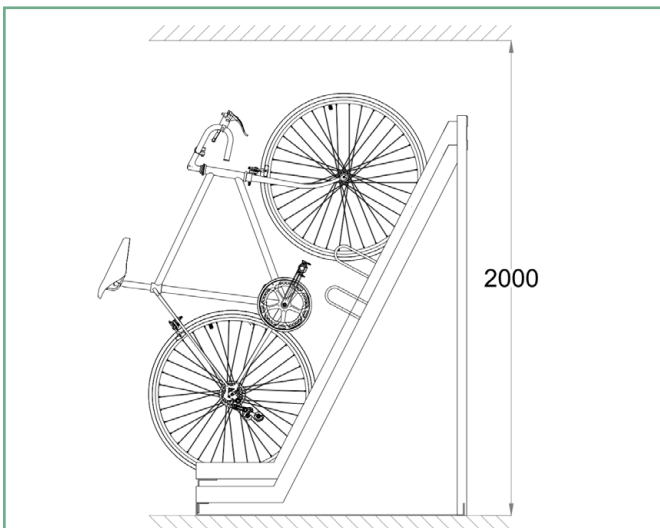
### Plan view



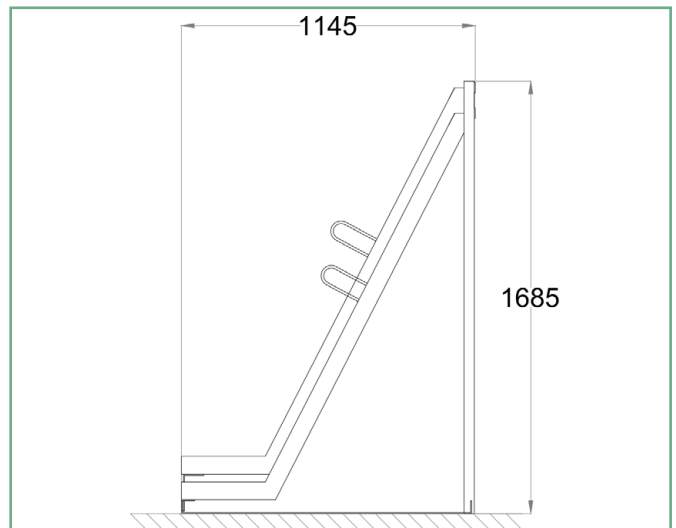
### Front elevation



### Side elevation



### Side elevation





**Project:** Baltic Yard Liverpool  
**Sector:** Residential  
**Year completed:** 2021



**Project:** NHS Kingston Hospital  
**Sector:** Public  
**Year completed:** 2021



**Project:** Powys Cycle Hub  
**Sector:** Public  
**Year completed:** 2021