

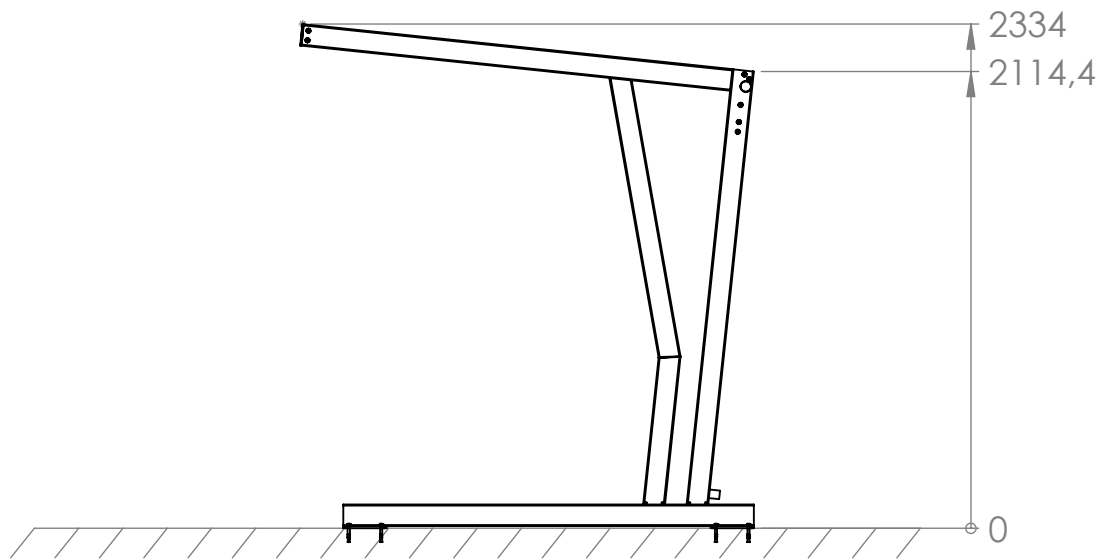


Simple and adaptable design.

Weather protection for parked bicycles. The Wave cycle shelter provides a functional and durable solution for any outdoor space.



Dimensions



Features

Galvanised as standard with powder coated steel roof panels. Optional powder coated frame and PET roofing.

Two-tier or single height variants.

Integrated drainage system.

Open access, cladding and custom branding options available.

Specification

Capacity	6 bicycle minimum
Lead Time	8 weeks

