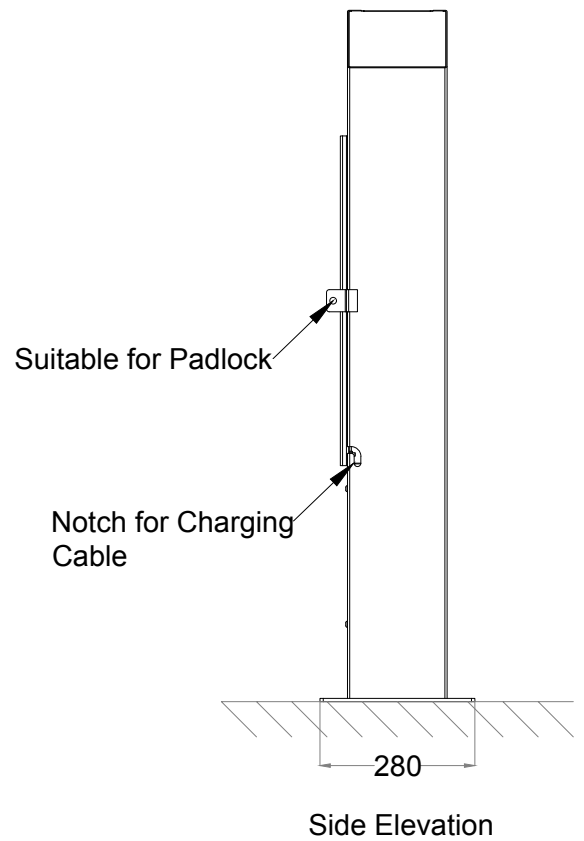
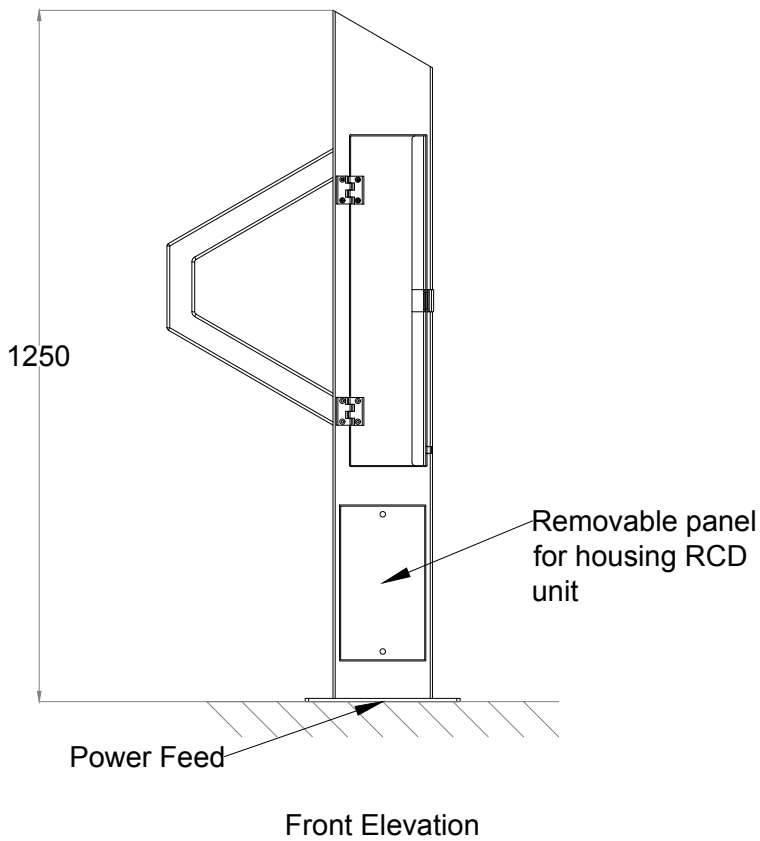
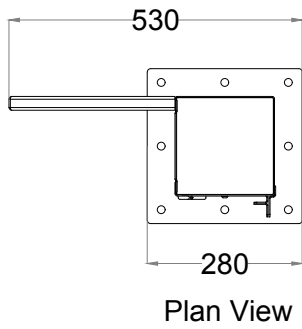




Designed for electric bikes

A purpose built unit for electric bikes, cyclists can remove the battery from their bike and charge it within the lockable weatherproof housing. bicycles can be secured as if parking on a conventional Sheffield stand.

Dimensions



Features

- Galvanised and colour powder coated as standard.
- Secure housing for battery charging, rack functions as per a Sheffield stand.
- One bike per charging station, modular system can incorporate any number of bikes.

Specification

Capacity	1 bicycle per unit
Lead Time	4 weeks

