



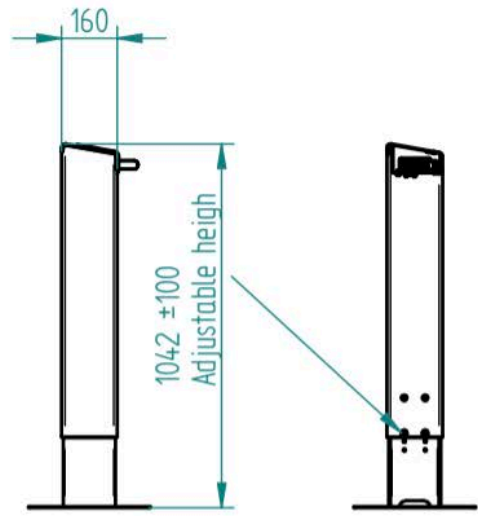
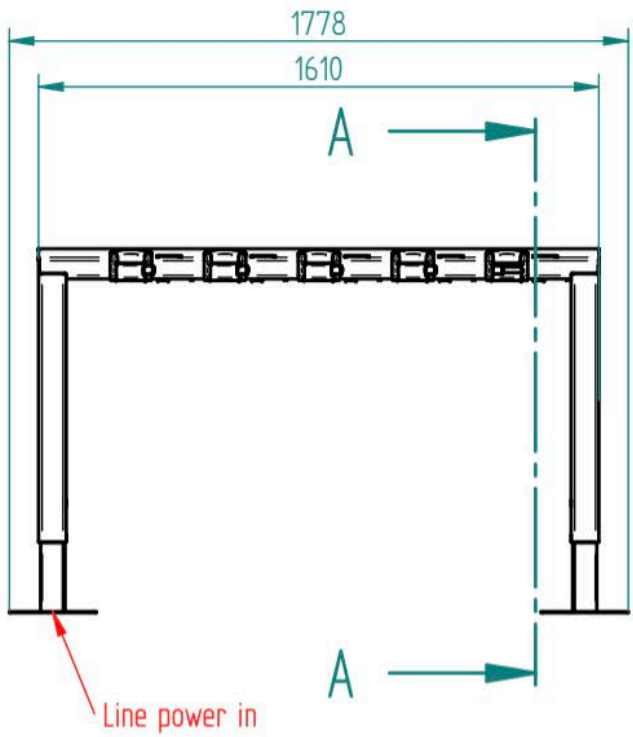
Smart, functional scooter storage with a secure integrated lock.

Turvec's adjustable height electric scooter rack is the ideal solution for dock-less hire, pool or public scooter storage in urban areas.

...dre Liwentaali maja
...a lennunduse edendaja



Dimensions



SECTION A-A

Features

- RFID or smartphone access to lock
- Integrated locking system
- Adjustable height
- Custom branding

Specification

Capacity	5 scooters per rack
Lead Time	4 weeks
Finish	Galvanised & PPC

