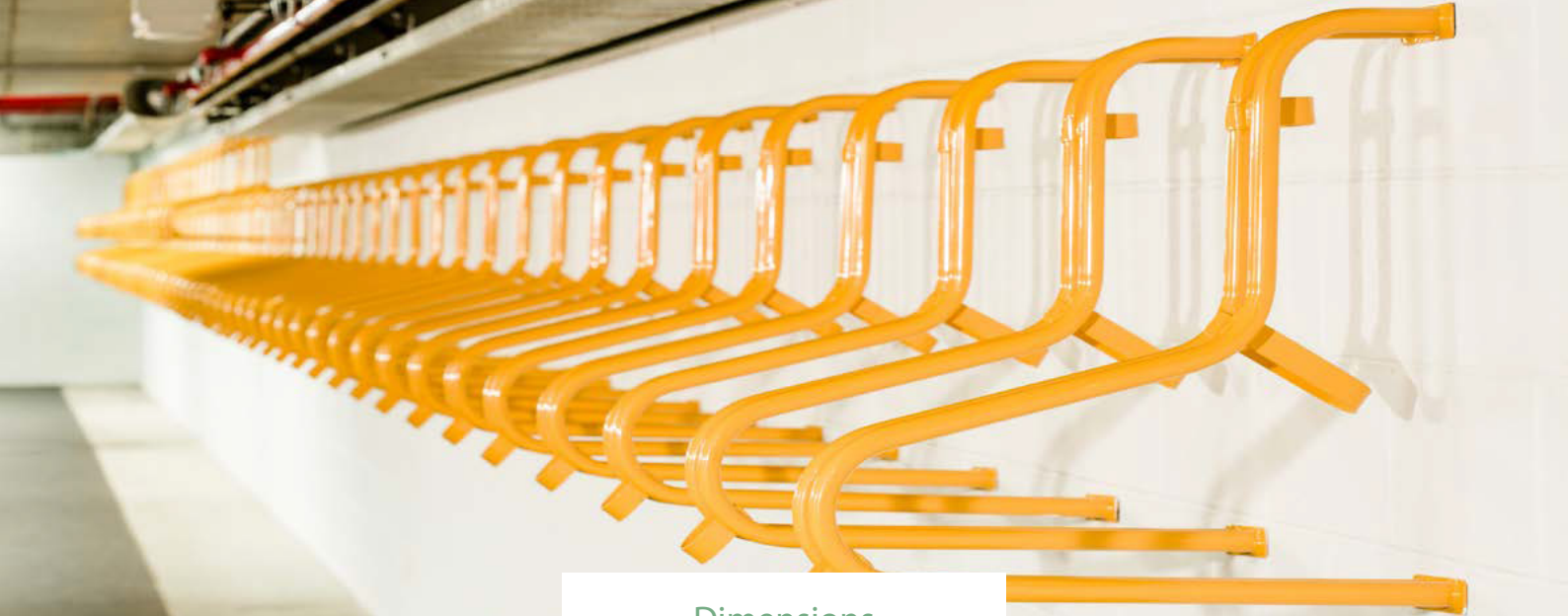




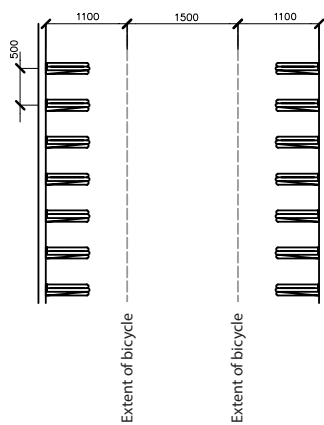
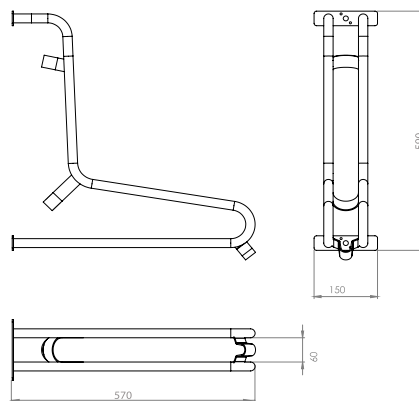
Designed for bike riders not weight lifters

This rack guides & cradles the front tyre; reducing the lifting effort normally associated with vertical parking. Its unique geometry also prevents damage to rims and spokes. (And yes - you can use your D-lock on it too)
The Cradle has a variety of framing options available.

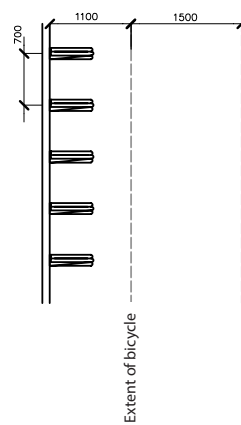


Dimensions

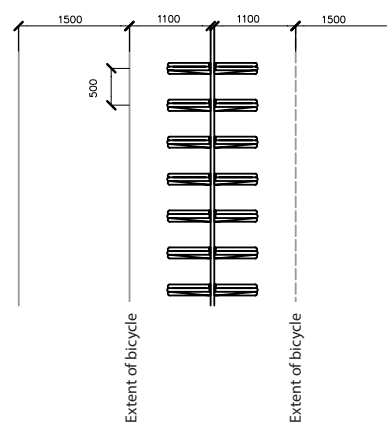
Cradle



Staggered layout



Non-staggered layout



Double sided layout

Features

Mild steel

Powder coated finish

Steel frame implemented for areas with no existing walls

Specification

Capacity	1 bike
Min Ceiling	2250mm
Aisle width	1500mm
Lead Time	6-8 weeks

