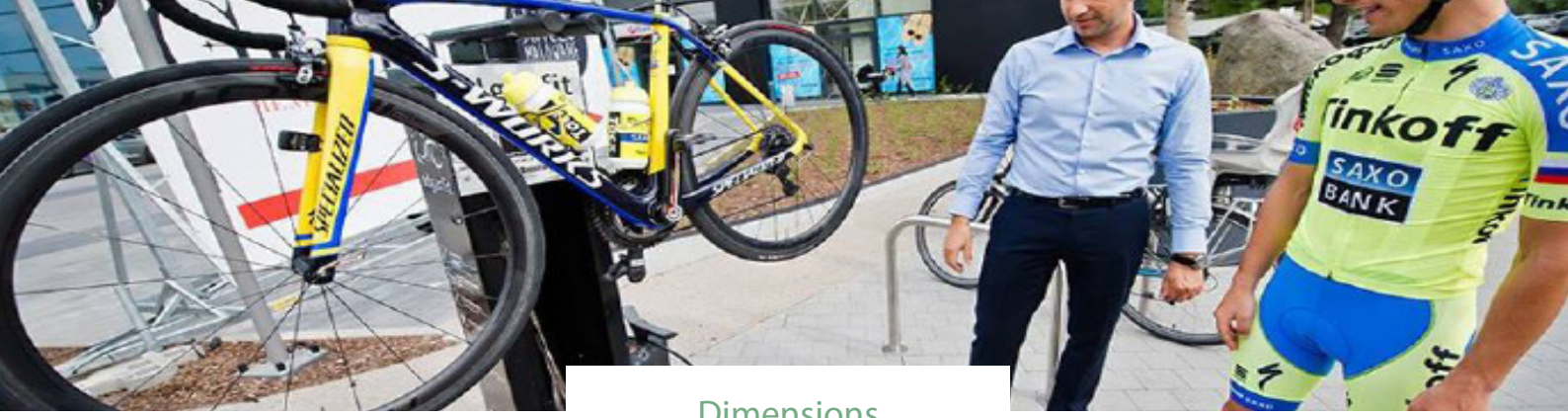
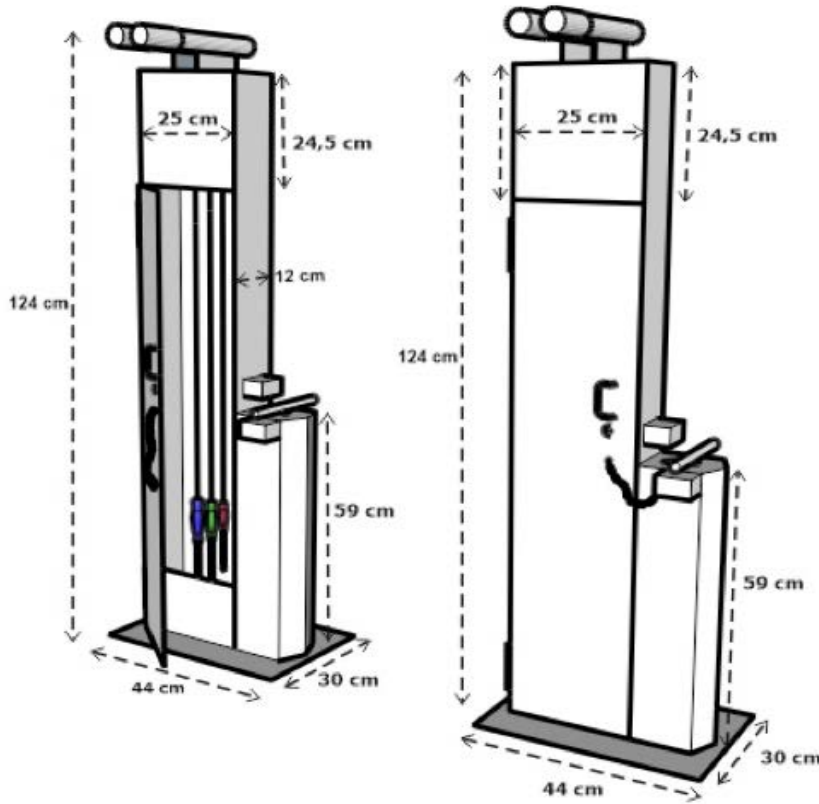


Tools to tune and make repairs.

Bike maintenance stations and pumps provide a sturdy workstand for cyclists to make repairs and tune their bicycles while away from the home.



Dimensions



RAL 1021	RAL 2008	RAL 3020	RAL 5017	RAL 6018
RAL 7035	RAL 9005	RAL 9006 (METALLIC)	RAL 9010	RAL

Features

Galvanised and powder coated as standard

Custom branding

Two year warranty

Steel ropes, Phillips screwdriver, flat screwdriver, T25 Torx – screwdriver, adjustable spanner, skateboard tools, flat wrench 8×10 mm, flat wrench 13×15 mm, hex key set, tyre levers (plastic with steel core)

Specification

Lead Time

4 weeks

